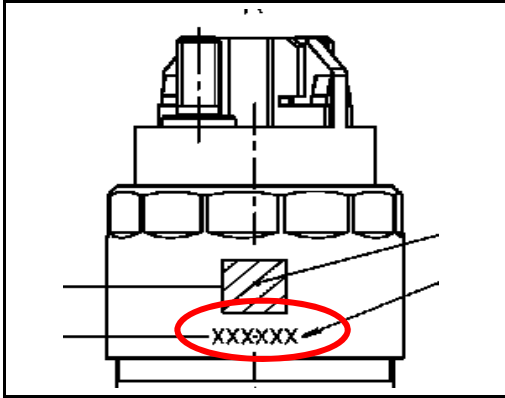


Information about BOSCH CRIN with IQA-Function

CUMMINS

Image Caption:



Affected Injector SNr.:

0445 120 050	
0445 120 071	
0445 120 184	
0445 120 185	
0445 120 188	
0445 120 193	
0445 120 204	

IQA-Code: (Example)

8HSGBY	
Position 1:	IQA-Code, Mandatory Input
Position 2:	IQA-Code, Mandatory Input
Position 3:	IQA-Code, Mandatory Input
Position 4:	IQA-Code, Mandatory Input
Position 5:	IQA-Code, Mandatory Input
Position 6:	IQA-Code, Mandatory Input
Position 7:	Not Used
Position 8:	Not Used
Position 9:	Not Used
Position 10:	Not Used

Font Information:

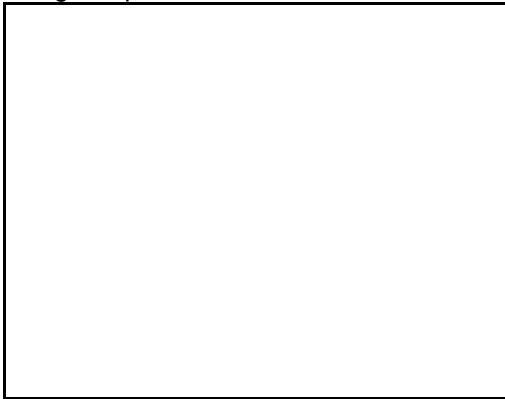
--

Remarks:

Alphanumeric Code

Information about BOSCH CRIN with IQA-Function

Image Caption:



Affected Injector SNr.:

--	--

IQA-Code: (Example)

Position 1:	
Position 2:	
Position 3:	
Position 4:	
Position 5:	
Position 6:	
Position 7:	
Position 8:	
Position 9:	
Position 10:	

Font Information:

--

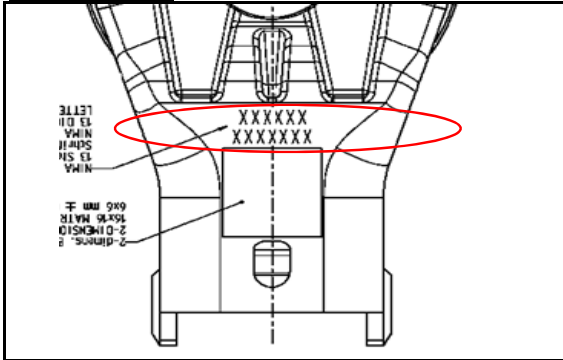
Remarks:

--

Information about BOSCH CRIN with IQA-Function

DMAX

Image Caption:



Affected Injector SNr.:

0445 120 082	

IQA-Code: (Example)

E9DE1EB0D75E2	
Upper Position 1:	IQA-Code, Mandatory Input
Upper Position 2:	IQA-Code, Mandatory Input
Upper Position 3:	IQA-Code, Mandatory Input
Upper Position 4:	IQA-Code, Mandatory Input
Upper Position 5:	IQA-Code, Mandatory Input
Upper Position 6:	IQA-Code, Mandatory Input
Lower Position 1:	IQA-Code, Mandatory Input
Lower Position 2:	IQA-Code, Mandatory Input
Lower Position 3:	IQA-Code, Mandatory Input
Lower Position 4:	IQA-Code, Mandatory Input
Lower Position 5:	IQA-Code, Mandatory Input
Lower Position 6:	IQA-Code, Mandatory Input
Lower Position 7:	IQA-Code, Mandatory Input

Font Information:

--

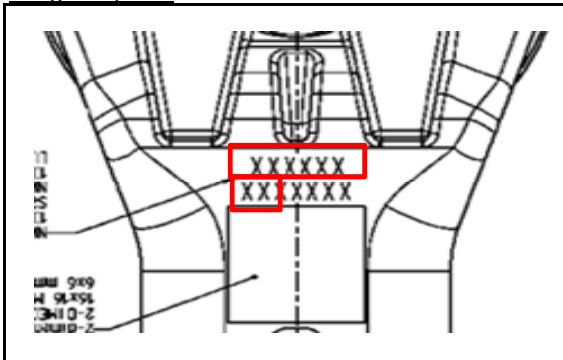
Remarks:

HEX Code

Information about BOSCH CRIN with IQA-Function

DMAX

Image Caption:



Affected Injector SNr.:

0445 120 042	

IQA-Code: (Example)

1A0200F0	
Upper Position 1:	IQA-Code, Mandatory Input
Upper Position 2:	IQA-Code, Mandatory Input
Upper Position 3:	IQA-Code, Mandatory Input
Upper Position 4:	IQA-Code, Mandatory Input
Upper Position 5:	IQA-Code, Mandatory Input
Upper Position 6:	IQA-Code, Mandatory Input
Lower Position 1:	IQA-Code, Mandatory Input
Lower Position 2:	IQA-Code, Mandatory Input
Lower Position 3:	No Opinion
Lower Position 4:	No Opinion
Lower Position 5:	No Opinion
Lower Position 6:	No Opinion
Lower Position 7:	No Opinion

Font Information:

--

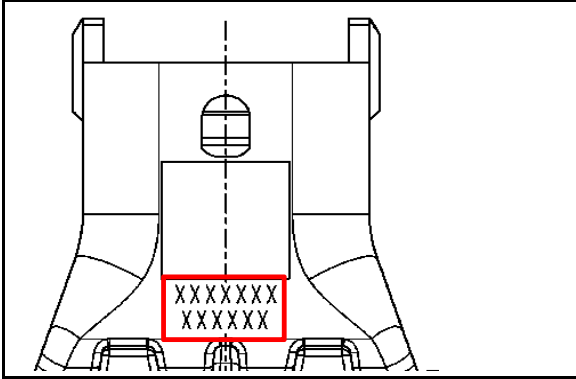
Remarks:

HEX Code

Information about BOSCH CRIN with IQA-Function

GM

Image Caption:



Affected Injector SNr.:

0445 120 042	
0445 120 082	

IQA-Code: (Example)

Upper Position 1:	IQA-Code, Mandatory Input
Upper Position 2:	IQA-Code, Mandatory Input
Upper Position 3:	IQA-Code, Mandatory Input
Upper Position 4:	IQA-Code, Mandatory Input
Upper Position 5:	IQA-Code, Mandatory Input
Upper Position 6:	IQA-Code, Mandatory Input
Upper Position 7:	IQA-Code, Mandatory Input
Lower Position 1:	IQA-Code, Mandatory Input
Lower Position 2:	IQA-Code, Mandatory Input
Lower Position 3:	IQA-Code, Mandatory Input
Lower Position 4:	IQA-Code, Mandatory Input
Lower Position 5:	IQA-Code, Mandatory Input
Lower Position 6:	IQA-Code, Mandatory Input

Font Information:

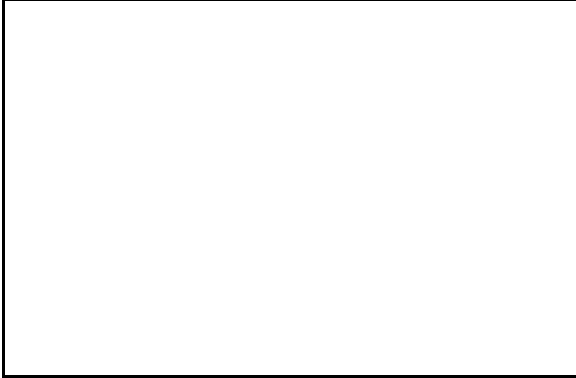
--

Remarks:

Hexadezimal Code

Information about BOSCH CRIN with IQA-Function

Image Caption:



Affected Injector SNr.:

IQA-Code: (Example)

Position 1:	
Position 2:	
Position 3:	
Position 4:	
Position 5:	
Position 6:	
Position 7:	
Position 8:	
Position 9:	
Position 10:	

Font Information:

--

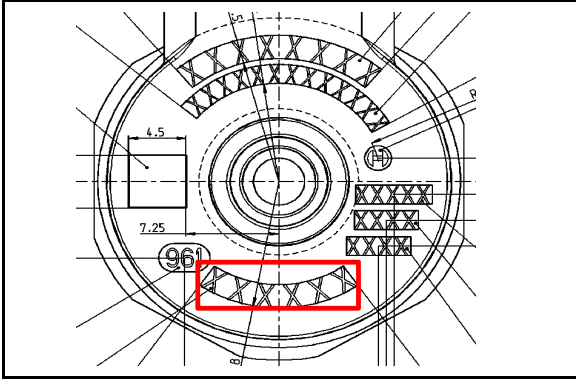
Remarks:

--

Information about BOSCH CRIN with IQA-Function

MMC-NFZ

Image Caption:



Affected Injector SNr.:

0445 120 076	

IQA-Code: (Example)

Position 1:	IQA-Code, Mandatory Input
Position 2:	IQA-Code, Mandatory Input
Position 3:	IQA-Code, Mandatory Input
Position 4:	IQA-Code, Mandatory Input
Position 5:	IQA-Code, Mandatory Input
Position 6:	IQA-Code, Mandatory Input

Font Information:

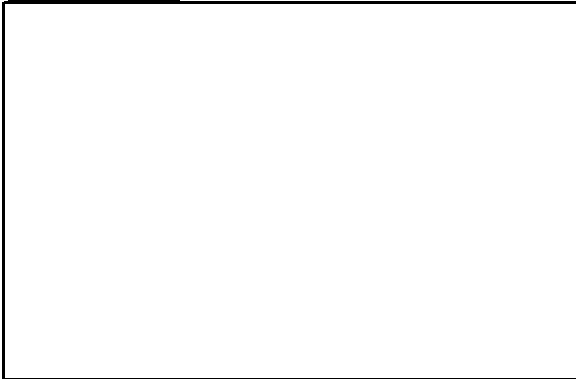
--

Remarks:

Hexadezimal Code

Information about BOSCH CRIN with IQA-Function

Image Caption:



Affected Injector SNr.:

IQA-Code: (Example)

Position 1:	
Position 2:	
Position 3:	
Position 4:	
Position 5:	
Position 6:	
Position 7:	
Position 8:	
Position 9:	
Position 10:	

Font Information:

--

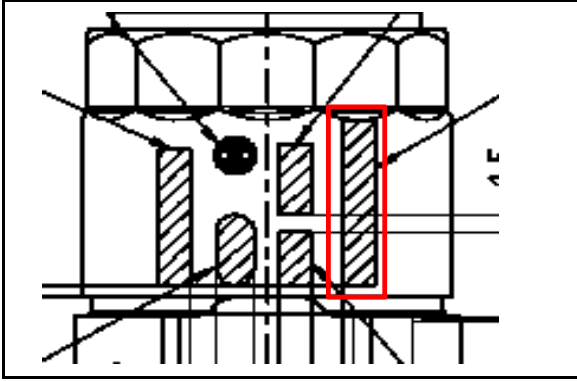
Remarks:

--

Information about BOSCH CRIN with IQA-Function

HINO

Image Caption:



Affected Injector SNr.:

0445 120 095	
0445 120 243	

IQA-Code: (Example)

924H27	
Position 1:	IQA-Code, Mandatory Input
Position 2:	IQA-Code, Mandatory Input
Position 3:	IQA-Code, Mandatory Input
Position 4:	IQA-Code, Mandatory Input
Position 5:	IQA-Code, Mandatory Input
Position 6:	IQA-Code, Mandatory Input

Font Information:

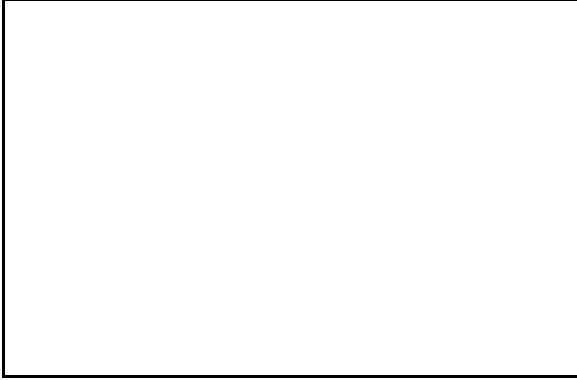
--

Remarks:

Alphanumeric Code

Information about BOSCH CRIN with IQA-Function

Image Caption:



Affected Injector SNr.:

IQA-Code: (Example)

Position 1:	
Position 2:	
Position 3:	
Position 4:	
Position 5:	
Position 6:	
Position 7:	
Position 8:	
Position 9:	
Position 10:	

Font Information:

--

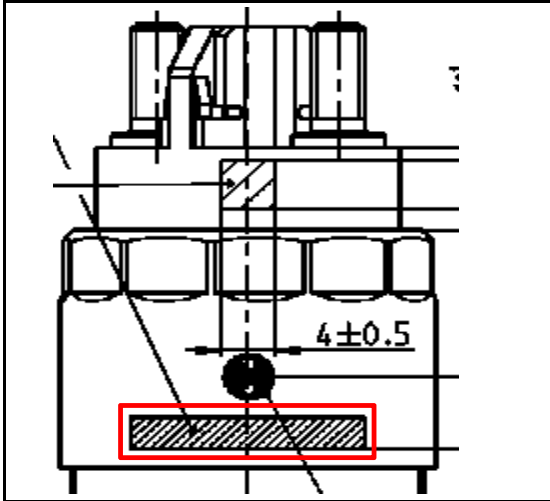
Remarks:

--

Information about BOSCH CRIN with IQA-Function

MAN-D20

Image Caption:



Affected Injector SNr.:

0445 120 162
0445 120 186
0445 120 197
0445 120 201
0445 120 202
0445 120 217
0445 120 218
0445 120 219
0445 120 220
0445 120 312
0445 120 313
0445 120 341
0445 120 353
0445 120 354
0445 120 355
0445 120 420
0445 124 024

IQA-Code: (Example)

924H276495

Position 1: IQA-Code, Mandatory Input
Position 2: IQA-Code, Mandatory Input
Position 3: IQA-Code, Mandatory Input
Position 4: IQA-Code, Mandatory Input
Position 5: IQA-Code, Mandatory Input
Position 6: IQA-Code, Mandatory Input
Position 7: IQA-Code, Mandatory Input
Position 8: IQA-Code, Mandatory Input
Position 9: IQA-Code, Mandatory Input
Position 10: IQA-Code, Mandatory Input

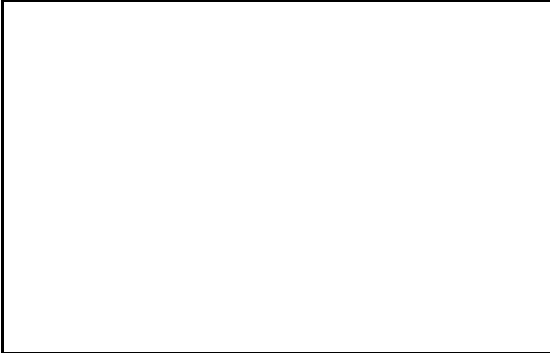
Font Information:

Remarks:

Alphanumeric Code

Information about BOSCH CRIN with IQA-Function

Image Caption:



Affected Injector SNr.:

IQA-Code: (Example)

Position 1:
Position 2:
Position 3:
Position 4:
Position 5:
Position 6:
Position 7:
Position 8:
Position 9:
Position 10:

Font Information:

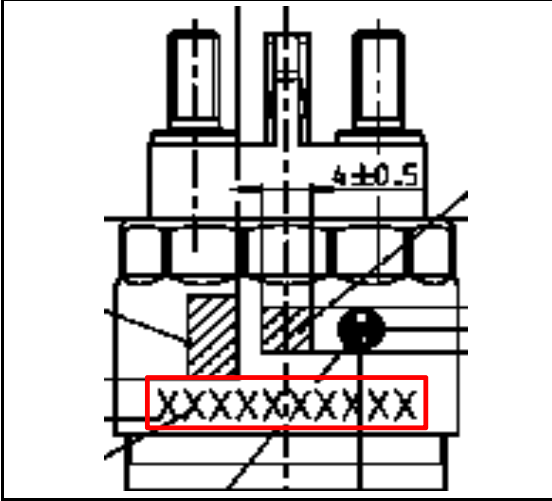
Remarks:

--

Information about BOSCH CRIN with IQA-Function

Deutz

Image Caption:



Affected Injector SNr.:

- 0445 120 424
- 0445 120 362
- 0445 124 001
- 0445 124 007
- 0445 124 008
- 0445 124 009
- 0445 124 022
- 0445 124 023
- 0445 124 041
- 0445 124 042
- 0445 124 043

IQA-Code: (Example)

924H276495	
Position 1:	IQA-Code, Mandatory Input
Position 2:	IQA-Code, Mandatory Input
Position 3:	IQA-Code, Mandatory Input
Position 4:	IQA-Code, Mandatory Input
Position 5:	IQA-Code, Mandatory Input
Position 6:	IQA-Code, Mandatory Input
Position 7:	IQA-Code, Mandatory Input
Position 8:	IQA-Code, Mandatory Input
Position 9:	IQA-Code, Mandatory Input
Position 10:	IQA-Code, Mandatory Input

Font Information:

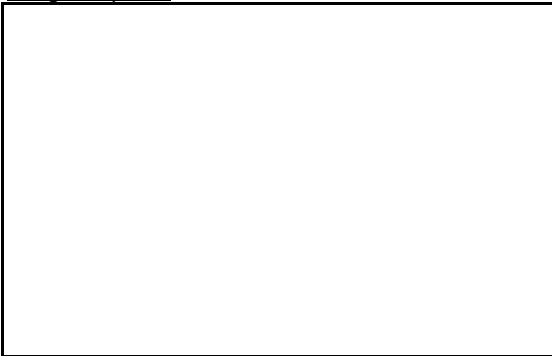
--

Remarks:

Alphanumeric Code

Information about BOSCH CRIN with IQA-Function

Image Caption:



Affected Injector SNr.:

IQA-Code: (Example)

Position 1:	
Position 2:	
Position 3:	
Position 4:	
Position 5:	
Position 6:	
Position 7:	
Position 8:	
Position 9:	
Position 10:	

Font Information:

--

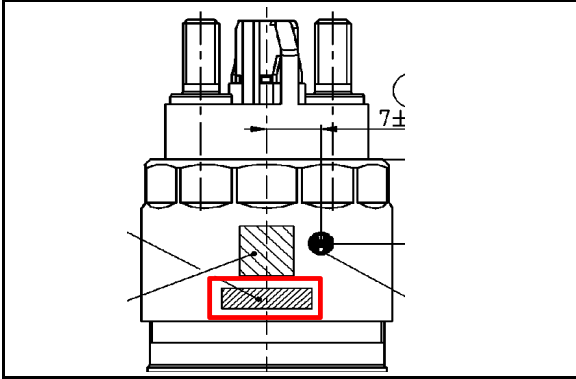
Remarks:

--

Information about BOSCH CRIN with IQA-Function

MTU

Image Caption:



Affected Injector SNr.:

0445 120 229

IQA-Code: (Example)

924H27

- Position 1: IQA-Code, Mandatory Input
- Position 2: IQA-Code, Mandatory Input
- Position 3: IQA-Code, Mandatory Input
- Position 4: IQA-Code, Mandatory Input
- Position 5: IQA-Code, Mandatory Input
- Position 6: IQA-Code, Mandatory Input

Font Information:

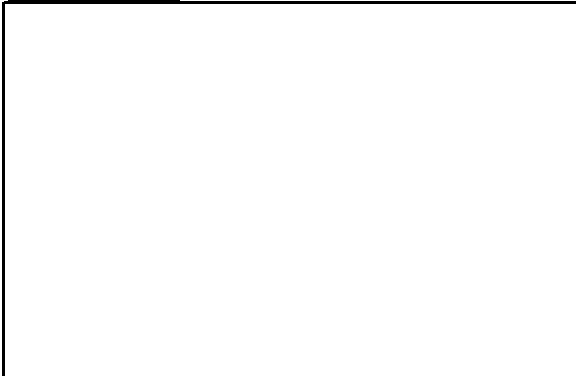
--

Remarks:

Alphanumeric Code

Information about BOSCH CRIN with IQA-Function

Image Caption:



Affected Injector SNr.:

IQA-Code: (Example)

- Position 1:
- Position 2:
- Position 3:
- Position 4:
- Position 5:
- Position 6:
- Position 7:
- Position 8:
- Position 9:
- Position 10:

Font Information:

--

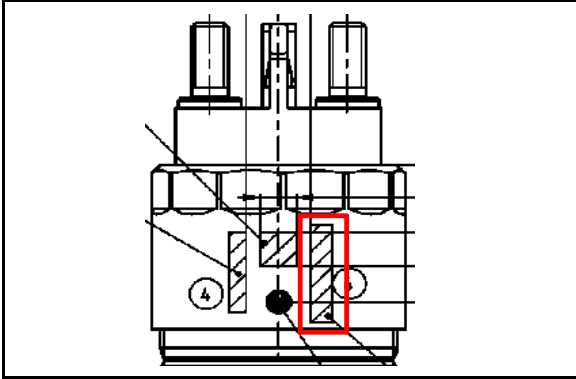
Remarks:

--

Information about BOSCH CRIN with IQA-Function

MTU 200MPA

Image Caption:



Affected Injector SNr.:

- 0445 124 017
- 0445 124 020
- 0445 124 021
- 0445 124 028
- 0445 124 029
- 0445 124 034
- 0445 124 038

IQA-Code: (Example)

924H275794

- Position 1: IQA-Code, Mandatory Input
- Position 2: IQA-Code, Mandatory Input
- Position 3: IQA-Code, Mandatory Input
- Position 4: IQA-Code, Mandatory Input
- Position 5: IQA-Code, Mandatory Input
- Position 6: IQA-Code, Mandatory Input
- Position 7: IQA-Code, Mandatory Input
- Position 8: IQA-Code, Mandatory Input
- Position 9: IQA-Code, Mandatory Input
- Position 10: IQA-Code, Mandatory Input

Font Information:

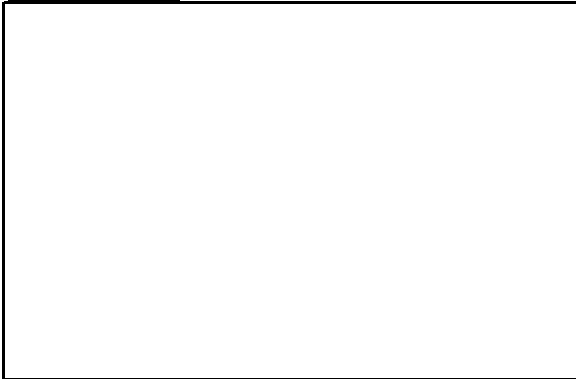
--

Remarks:

Alphanumeric Code

Information about BOSCH CRIN with IQA-Function

Image Caption:



Affected Injector SNr.:

IQA-Code: (Example)

- Position 1:
- Position 2:
- Position 3:
- Position 4:
- Position 5:
- Position 6:
- Position 7:
- Position 8:
- Position 9:
- Position 10:

Font Information:

--

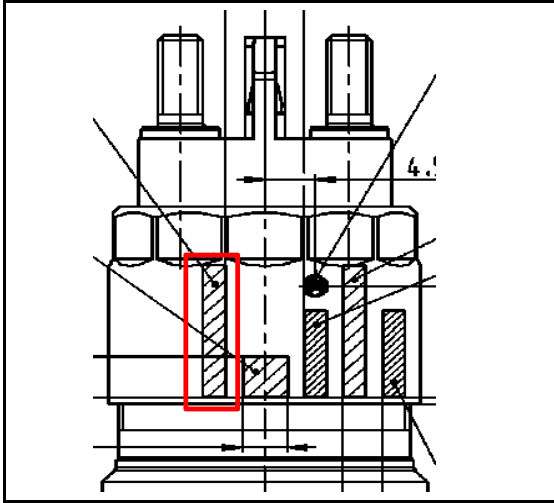
Remarks:

--

Information about BOSCH CRIN with IQA-Function

Doosan

Image Caption:



Affected Injector SNr.:

0445 120 376

IQA-Code: (Example)

924H276495

- Position 1: IQA-Code, Mandatory Input
- Position 2: IQA-Code, Mandatory Input
- Position 3: IQA-Code, Mandatory Input
- Position 4: IQA-Code, Mandatory Input
- Position 5: IQA-Code, Mandatory Input
- Position 6: IQA-Code, Mandatory Input
- Position 7: IQA-Code, Mandatory Input
- Position 8: IQA-Code, Mandatory Input
- Position 9: IQA-Code, Mandatory Input
- Position 10: IQA-Code, Mandatory Input

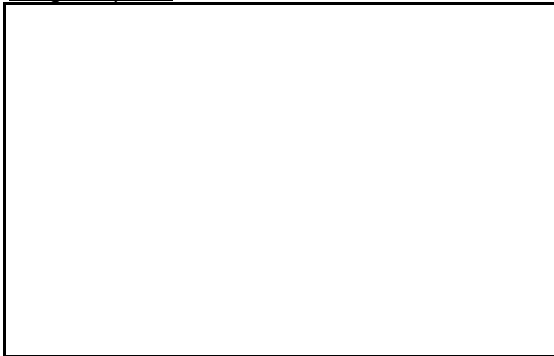
Font Information:

Remarks:

Alphanumeric Code

Information about BOSCH CRIN with IQA-Function

Image Caption:



Affected Injector SNr.:

IQA-Code: (Example)

- Position 1:
- Position 2:
- Position 3:
- Position 4:
- Position 5:
- Position 6:
- Position 7:
- Position 8:
- Position 9:
- Position 10:

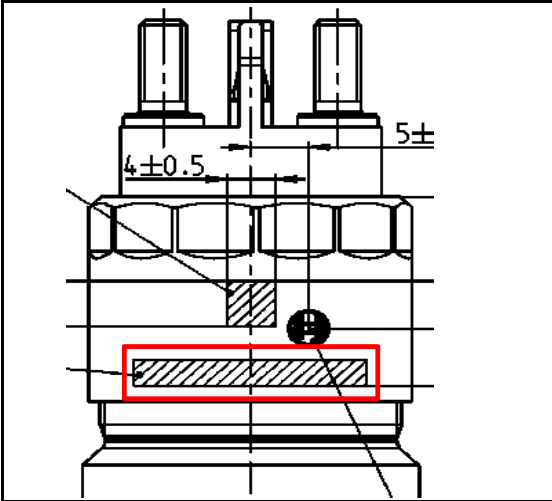
Font Information:

Remarks:

Information about BOSCH CRIN with IQA-Function

Navistar

Image Caption:



Affected Injector SNr.:

0445 124 011
0445 124 013
0445 124 016

IQA-Code: (Example)

924H276495

- Position 1: IQA-Code, Mandatory Input
- Position 2: IQA-Code, Mandatory Input
- Position 3: IQA-Code, Mandatory Input
- Position 4: IQA-Code, Mandatory Input
- Position 5: IQA-Code, Mandatory Input
- Position 6: IQA-Code, Mandatory Input
- Position 7: IQA-Code, Mandatory Input
- Position 8: IQA-Code, Mandatory Input
- Position 9: IQA-Code, Mandatory Input
- Position 10: IQA-Code, Mandatory Input

Font Information:

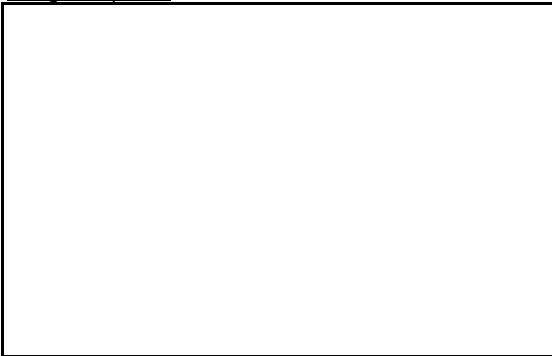
--

Remarks:

Alphanumeric Code

Information about BOSCH CRIN with IQA-Function

Image Caption:



Affected Injector SNr.:

IQA-Code: (Example)

- Position 1:
- Position 2:
- Position 3:
- Position 4:
- Position 5:
- Position 6:
- Position 7:
- Position 8:
- Position 9:
- Position 10:

Font Information:

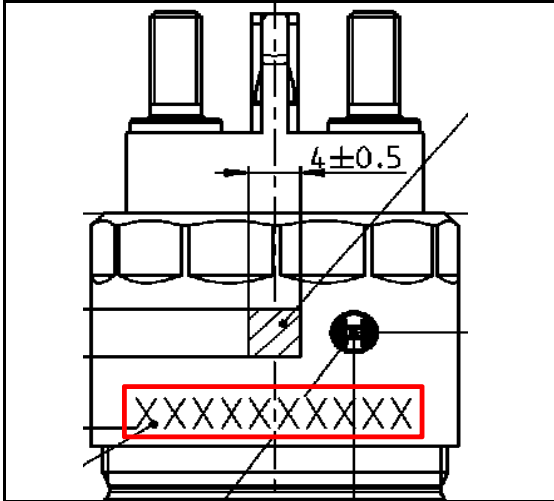
--

Remarks:

--

Information about BOSCH CRIN with IQA-Function

Image Caption:



Affected Injector SNr.:

0445 124 025

IQA-Code: (Example)

924H276495

- Position 1: IQA-Code, Mandatory Input
- Position 2: IQA-Code, Mandatory Input
- Position 3: IQA-Code, Mandatory Input
- Position 4: IQA-Code, Mandatory Input
- Position 5: IQA-Code, Mandatory Input
- Position 6: IQA-Code, Mandatory Input
- Position 7: IQA-Code, Mandatory Input
- Position 8: IQA-Code, Mandatory Input
- Position 9: IQA-Code, Mandatory Input
- Position 10: IQA-Code, Mandatory Input

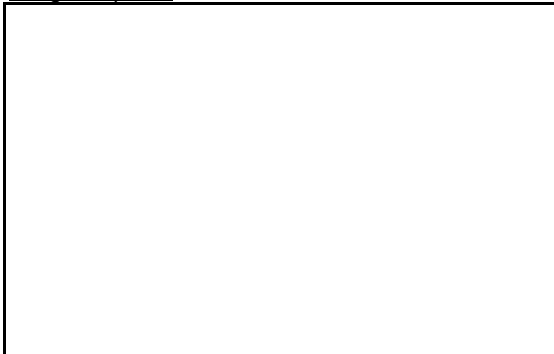
Font Information:

Remarks:

Alphanumeric Code

Information about BOSCH CRIN with IQA-Function

Image Caption:



Affected Injector SNr.:

IQA-Code: (Example)

- Position 1:
- Position 2:
- Position 3:
- Position 4:
- Position 5:
- Position 6:
- Position 7:
- Position 8:
- Position 9:
- Position 10:

Font Information:

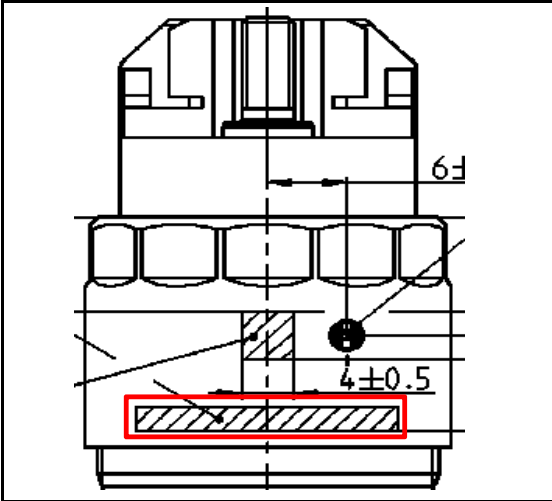
Remarks:

--

Information about BOSCH CRIN with IQA-Function

FPT

Image Caption:



Affected Injector SNr.:

0445 124 035
0445 124 037

IQA-Code: (Example)

924H276495

- Position 1: IQA-Code, Mandatory Input
- Position 2: IQA-Code, Mandatory Input
- Position 3: IQA-Code, Mandatory Input
- Position 4: IQA-Code, Mandatory Input
- Position 5: IQA-Code, Mandatory Input
- Position 6: IQA-Code, Mandatory Input
- Position 7: IQA-Code, Mandatory Input
- Position 8: IQA-Code, Mandatory Input
- Position 9: IQA-Code, Mandatory Input
- Position 10: IQA-Code, Mandatory Input

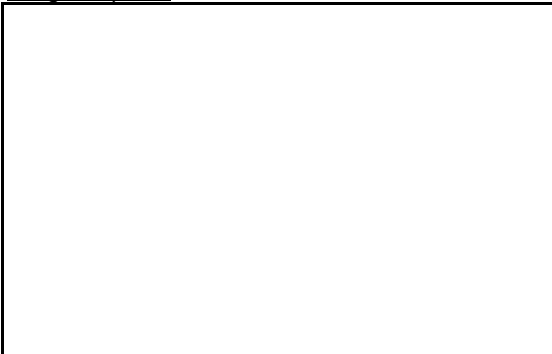
Font Information:

Remarks:

Alphanumeric Code

Information about BOSCH CRIN with IQA-Function

Image Caption:



Affected Injector SNr.:

IQA-Code: (Example)

- Position 1:
- Position 2:
- Position 3:
- Position 4:
- Position 5:
- Position 6:
- Position 7:
- Position 8:
- Position 9:
- Position 10:

Font Information:

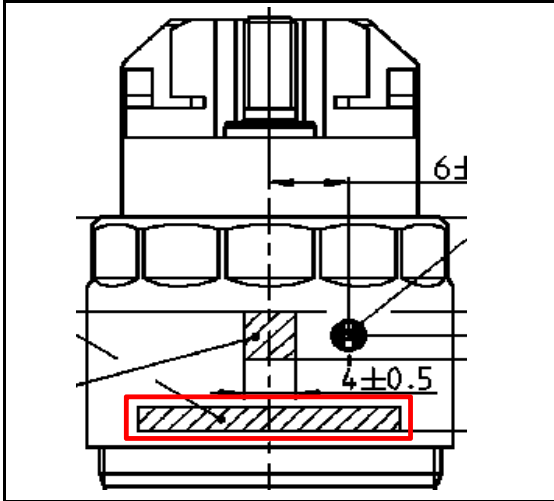
Remarks:

--

Information about BOSCH CRIN with IQA-Function

IVECO Powertrain

Image Caption:



Affected Injector SNr.:

0445 124 036

IQA-Code: (Example)

924H276495

- Position 1: IQA-Code, Mandatory Input
- Position 2: IQA-Code, Mandatory Input
- Position 3: IQA-Code, Mandatory Input
- Position 4: IQA-Code, Mandatory Input
- Position 5: IQA-Code, Mandatory Input
- Position 6: IQA-Code, Mandatory Input
- Position 7: IQA-Code, Mandatory Input
- Position 8: IQA-Code, Mandatory Input
- Position 9: IQA-Code, Mandatory Input
- Position 10: IQA-Code, Mandatory Input

Font Information:

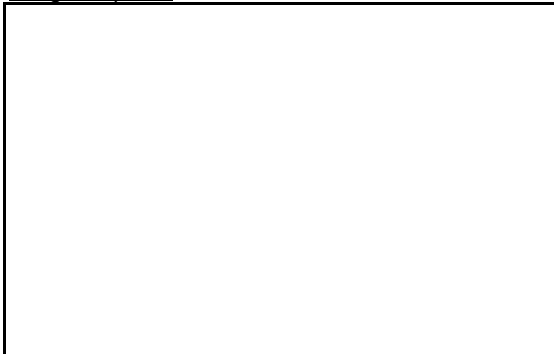
--

Remarks:

Alphanumeric Code

Information about BOSCH CRIN with IQA-Function

Image Caption:



Affected Injector SNr.:

IQA-Code: (Example)

- Position 1:
- Position 2:
- Position 3:
- Position 4:
- Position 5:
- Position 6:
- Position 7:
- Position 8:
- Position 9:
- Position 10:

Font Information:

--

Remarks:

--